

1. Technical data

ELEKTROMATEN Series		SI 17.15 SG63F	SI63 25.15 SG63F ¹	SI 25.10 SG85F	SI 25.15 WS SG85F	SI 40.10 SG85F	SI 40.15 SG85F	SI 45.7 WS SG85F
Output torque	Nm	170	250	250	250	400	400	450
Output speed	rpm	15	15	10	15	10	15	7
Output shaft / hollow shaft (Ø)	mm	30 / 40	30 / 40	30 / 40	30	40	40	40
Locking torque ²	Nm	510	510	635	635	1020	1020	1170
Safety brake (approval number)		TorFV 4 / 024	TorFV 4 / 024	TorFV 4 / 025	TorFV 4 / 025	TorFV 4 / 025	TorFV 4 / 025	TorFV 4 / 025
Max. output speed OPEN / CLOSE for frequency inverter operation ³	rpm	26 / 15	26 / 15	18 / 15	--	18 / 15	26 / 15	--
Motor power	kW	0,40	0,55	0,55	0,75	0,75	0,85	0,75
Supply voltage	V	3~230 / 400V	3~230 / 400V	3~230 / 400V	1N~230V	3~230 / 400V	3~230 / 400V	1N~230V
Operating frequency	Hz	50	50	50	50	50	50	50
Operating current ⁴	A	3,7 / 2,2	4,0 / 2,3	3,1 / 1,8	8,0	5,1 / 3,0	4,4 / 2,6	8,0
Max. movements per hour ⁵		20	20	20	14	16	14	8
Supply side wiring / fusing (delayed action)		5x1,5 ² / 10A	5x1,5 ² / 10A	5x1,5 ² / 10A	5x1,5 ² / 10A	5x1,5 ² / 10A	5x1,5 ² / 10A	5x1,5 ² / 10A
Limit switch range ⁶		20 (40)	20 (40)	20 (60, 110)	20 (60, 110)	20 (60, 110)	20 (60, 110)	20 (60, 110)
Max. hand force NHK / SK and / or KNH ⁷	N	80 / 89	118 / 132	85 / 95	85 / 95	136 / 151	136 / 151	78 / 87
Weight	kg	16	19	24	27	26	23	33
Spare parts: Catalogue page		9.054	9.054	9.055	9.055	9.055	9.055	9.055
Part no. installation drawing (dxf, dwg)		50001039	50001713	50000580	50000751	50000580	50000580	50001571
Part no. ELEKTROMATEN		Ø30 10003055 Ø40 10003830	Ø30 10003166 Ø40 10003950	Ø30 10002363 Ø40 10004532	Ø40 10002559	Ø40 10002367	Ø40 10002368	Ø40 10003600

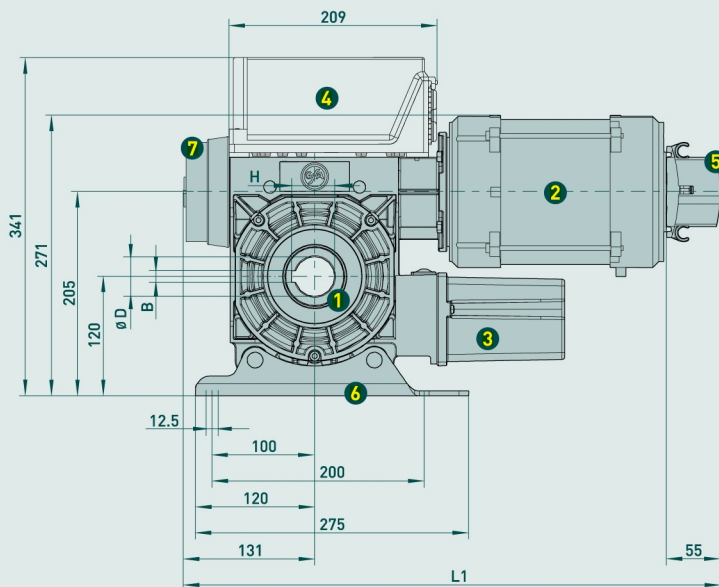
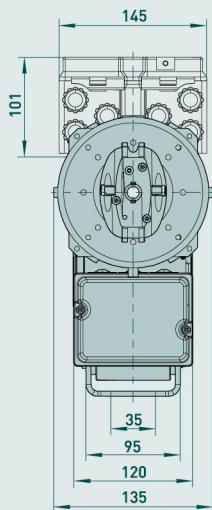
ELEKTROMATEN

Series

		SI 40.24 SG85F	SI 60.24 SG115F	SI 75.24 SG115F	SI 100.24 SG115F
Output torque	Nm	400	600	750	1000
Output speed	rpm	24	24	24	24
Output shaft / hollow shaft (Ø)	mm	40	55	55	55
Locking torque ¹	Nm	1020	2800	2800	2800
Safety brake (approval number)		TorFV 4 / 025	14-003305- PR01	14-003305- PR01	14-003305- PR01
Max. output speed OPEN / CLOSE for frequency inverter operation ²	rpm	42 / 42	42 / 42	42 / 42	34 / 24
Motor power	kW	1,10	1,50	2,00	3,00
Supply voltage	V	3-230 / 400V	3-230 / 400V	3-230 / 400V	3-230 / 400V
Operating frequency	Hz	50	50	50	50
Operating current ³	A	5,2 / 3,0	6,7 / 3,9	8,1 / 4,7	11,9 / 6,9
Max. movements per hour ⁴		30	30	30	30
Supply side wiring / fusing (delayed action)		5x1,5² / 10A	5x1,5 ² / 10A	5x2,5 ² / 10A	5x2,5 ² / 10A
Limit switch range ⁵		20 (60, 110)	20 (60, 110)	20 (60, 110)	20 (60, 110)
Max. hand force NHK / KNH ⁶	N	255 / 126	193 / 156	290 / 234	206 / 166
Weight	kg	26	38	45	53
Spare parts: Catalogue page		9.055	9.056	9.056	9.056
Part no. installation drawing (dxf, dwg)		50000733	50000830	50000794	50000795
Part no. ELEKTROMATEN		10002567	10002623	10002624	10003286

1.1 "Rapid Safedrive®" Output speed up to 35 rpm

ELEKTROMATEN		SI 17.24	SI 25.24	SI 25.35	SI 35.30
Series		SG63F	SG85F	SG85F	SG85F
Output torque	Nm	170	250	250	350
Output speed	rpm	24	24	35	30
Output shaft / hollow shaft (Ø)	mm	25 / 25,4 / 30 / 31,75 / 40	30 / 31,75	30 / 31,75	40
Locking torque ¹	Nm	510	635	635	890
Safety brake (approval number)		TorFV 4 / 024	TorFV 4 / 025	TorFV 4 / 025	TorFV 4 / 025
Max. output speed OPEN / CLOSE for frequency inverter operation ²	rpm	42 / 24	42 / 42	60 / 60	52 / 52
Motor power	kW	0,40	0,85	0,85	1,10
Supply voltage	V	3~230 / 400V	3~230 / 400V	3~230 / 400V	3~230 / 400V
Operating frequency	Hz	50	50	50	50
Operating current ³	A	3,3 / 1,9	4,4 / 2,6	4,4 / 2,6	5,2 / 3,0
Max. movements per hour ⁴		20	30	30	30
Supply side wiring / fusing (delayed action)		5x1,5 ² / 10A	5x1,5 ² / 10A	5x1,5 ² / 10A	5x1,5 ² / 10A
Limit switch range ⁵		20	20 [60, 110]	20 (60, 110)	20 (60, 110)
Max. hand force NHK / KNH ⁶	N	99 / 110	190 / 94	208 / 103	248 / 122
Weight	kg	17	25	25	26
Spare parts: Catalogue page		9.054	9.055	9.055	9.055
Part no. installation drawing (dxf, dwg)		50001079	50000733	50000733	50000733
Part no. ELEKTROMATEN		10003445 (Ø25) 10003145 (Ø25,4) 10003056 (Ø30) 10003057 (Ø31,75) 10003982 (Ø40)	10002564 (Ø30) 10002678 (Ø31,75)	10002565 (Ø30) 10002679 (Ø31,75)	10002566



- 1 Worm gear with safety brake
- 2 Motor
- 3 Limit switch
- 4 Optional: WS 900 control panel, removable, with 0,8m cable

- 5 Hand crank NHK
- 6 Floating foot
- 7 Brake

Ø D	H	B
30	33,3	8
31,75	34,7	6,35
40	43,3	12

ELEKTROMATEN	L1
SI 25.24	497
SI 25.35	497
SI 35.30	518
SI 40.24	518
SI 10.70	482
SI 13.70	574
SI 20.90	594
SI 25.60	594
SI 28.46	572

1. Technical data

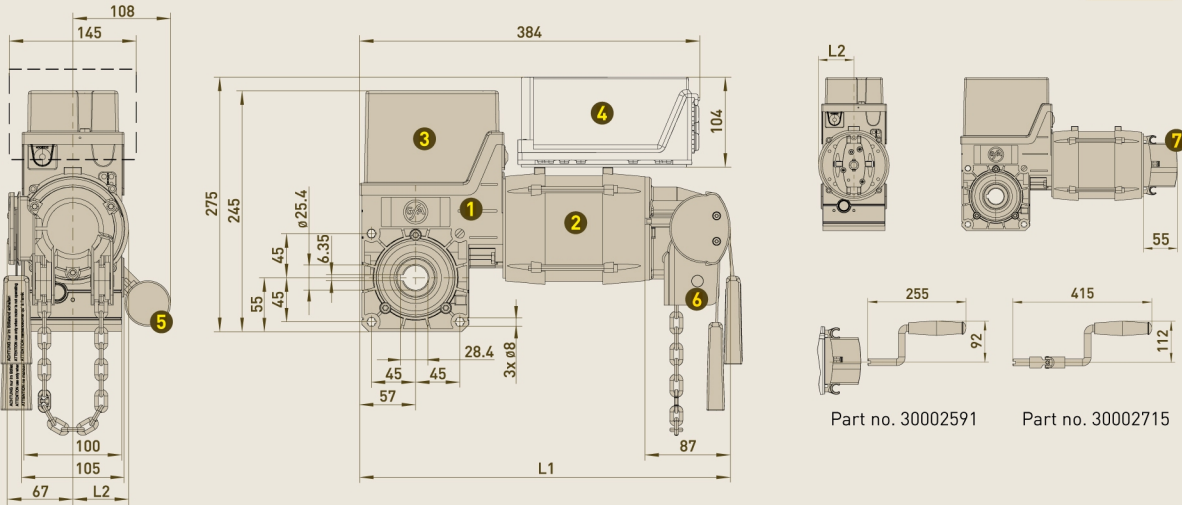
ELEKTROMATEN Series		SE 5.24	SE 5.24 WS	SE 9.15		SE 9.20		SE 9.24		SE 9.24 WS	
		KG50	KG50	SG50	SG50E	SG50	SG50E	SG50	SG50E	SG50	SG50E
Output torque	Nm	50	50	90		90		90		90	
Output speed	rpm	24	24	15		20		24		24	
Output shaft / hollow shaft (Ø) ¹	mm	25,4	25,4	25,4		25,4		25,4		25,4	
Max. holding torque ²	Nm	200	200	450		450		450		450	
Max. door weight	N	2500	2500	4000		4000		4000		4000	
Max. output speed OPEN / CLOSE for frequency inverter operation ³	rpm	42 / 30	--	26 / 26		36 / 30		42 / 30		--	
Motor power	kW	0,30	0,37	0,30		0,30		0,37		0,45	
Supply voltage	V	3~230 / 400V	1N~230V	3~230 / 400V		3~230 / 400V		3~230 / 400V		1N~230V	
Operating frequency	Hz	50	50	50		50		50		50	
Operating current ⁴	A	1,9 / 1,1	3,5	2,6 / 1,5		2,6 / 1,5		2,1 / 1,2		3,9	
Max. movements per hour ⁵		12	12	20		20		20		16	
Supply side wiring / fusing (delayed action)		5x1,5 ² / 10A	3x1,5 ² / 10A	5x1,5 ² / 10A		5x1,5 ² / 10A		5x1,5 ² / 10A		3x1,5 ² / 10A	
Limit switch range ⁶		20	20	20		20		20		20	
Weight	kg	11	13	13		13		13		16	
Spare parts: Catalogue page		9.052	9.052	9.051		9.051		9.051		9.051	
Part no. installation drawing (dxf, dwg)		50001339	50001339	50000563 50000872 (ER)		50000563 50000872 (ER)		50000563 50000872 (ER)		50000853 50001092 (ER)	
Part no. ELEKTROMATEN		10003375	10003424	10003277 10003376 (ER)		10003152 10003157 (ER)		10002188 10002748 (ER)		10002237 10002763 (ER)	

ELEKTROMATEN Series		SE 9.30		SE 14.15		SE 14.21		SE 6.65 DU		SE 6.80 FI		SE 14.80 FI	
		SG50	SG50E	SG50	SG50E	SG50	SG50E	SG50	SG50E	SG50	SG50E	SG50	SG50E
Output torque	Nm	90		140		140		60		60		140	
Output speed OPEN CLOSE > 2,5m CLOSE ≤ 2,5m ⁷	min ⁻¹	30		15		21		20-65 20-30 20-30		15-80 15-30 15-30		10-80 10-30 10-30	
Output shaft / hollow shaft (Ø) ¹	mm	25,4		25,4 / 31,75		25,4 / 31,75		25,4 / 31,75		25,4 / 31,75		25,4 / 31,75	
Max. holding torque ²	Nm	450		600		600		450		450		600	
Max. door weight	N	4000		6000		6000		3000		3000		6000	
Max. output speed OPEN / CLOSE for frequency inverter operation ³	min ⁻¹	52 / 30		26 / 26		36 / 30		--		--		--	
Motor power	kW	0,37		0,35		0,45		0,45		0,40		0,85	
Supply voltage	V	3~230 / 400V		3~230 / 400V		3~230 / 400V		3~400V		1N~230V		1N~230V	
Operating frequency	Hz	50		50		50		50		50 / 60		50 / 60	
Operating current ⁴	A	2,1 / 1,2		3,3 / 1,9		4,5 / 2,6		0,8		-		-	
Max. movements per hour ⁵		20		16		16		20		40		40	
Supply side wiring / fusing (delayed action)		5x1,5 ² / 10A		5x1,5 ² / 10A		5x1,5 ² / 10A		5x1,5 ² / 10A		3x1,5 ² / 10A		3x1,5 ² / 10A	
Limit switch range ⁶		20		20 [14]		20 [14]		20 [14]		20 [14]		20 [14]	
Weight	kg	14		18		14		16		18		24	
Spare parts: Catalogue page		9.051		9.051		9.051		9.051		9.051		9.051	
Part no. installation drawing (dxf, dwg)		50000563 50000872 (ER)		50000846 50001076 (ER)		50000846 50001076 (ER)		50001313 50001314 (ER)		50001603 50001604 (ER)		50001544 50001545 (ER)	
Part no. ELEKTROMATEN		Ø25,4 10002195 Ø25,4 ER 10002738		Ø25,4 10002516 Ø25,4 ER 10003377 Ø31,75 10002621		Ø25,4 10002204 Ø25,4 ER 10002758 Ø31,75 10002206		Ø25,4 10003393 Ø25,4 ER 10003346 Ø31,75 10003378		Ø25,4 10004106 Ø25,4 ER 10004201 Ø31,75 10004200		Ø25,4 10004010 Ø25,4 ER 10004013 Ø31,75 10004011	

3. Dimensions

3.1 SE 5.24 / SE 5.24 WS

KG50



- ❶ Worm gear
- ❷ Motor
- ❸ Limit switch
- ❹ Optional: WS 900 control panel, removable, with 0,8m cable
- ❺ Capacitor
- ❻ Emergency manual operation Rapid hand chain operator SK
- ❼ Emergency manual operation Manual hand crank operation NHK

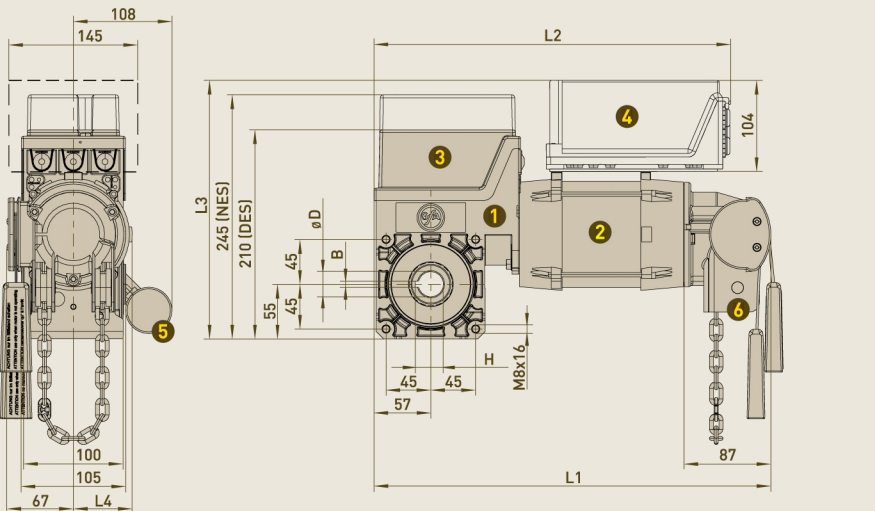
ELEKTROMATEN	L1 (SKI)	L2
SE 5.24	381	57
SE 5.24 WS ❺	401	54

■ Permitted installation: Horizontal (as shown) or vertical (motor at the bottom)

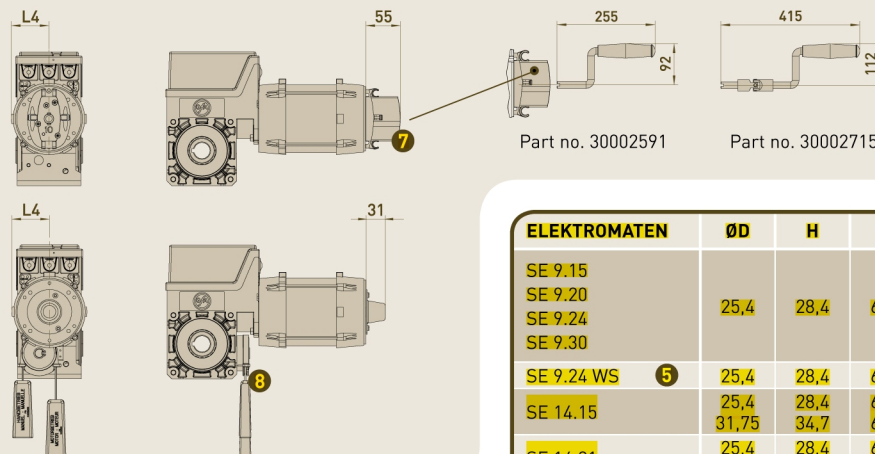
3.2 SE 9.15 – SE 14.21

SG50

SG50E



- ❶ Worm gear
- ❷ Motor
- ❸ Limit switch
- ❹ Optional: WS 900 control panel, removable, with 0,8m cable
- ❺ Capacitor
- ❻ Emergency manual operation Rapid hand chain operator SK
- ❼ Emergency manual operation Manual hand crank operation NHK
- ❽ Emergency manual operation Gear release ER



ELEKTROMATEN	ØD	H	B	L1 (SKI)	L2	L3	L4
SE 9.15							
SE 9.20							
SE 9.24	25,4	28,4	6,35	401	385	275	54
SE 9.30							
SE 9.24 WS ❺	25,4	28,4	6,35	412	384	275	63
SE 14.15	25,4 31,75	28,4 34,7	6,35 6,35	458	392	280	63
SE 14.21	25,4 31,75	28,4 34,7	6,35 6,35	426	384	275	54